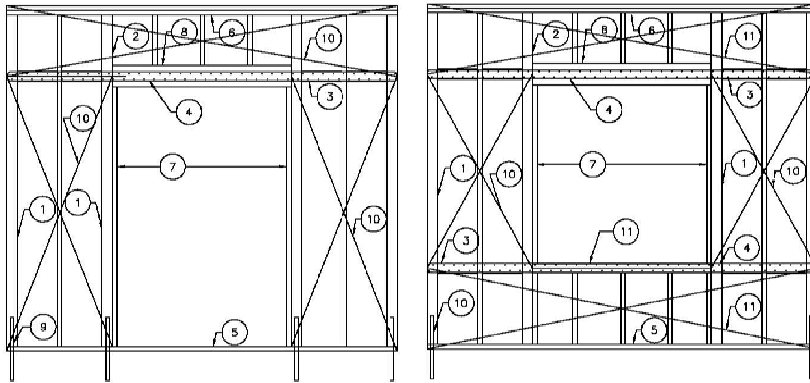
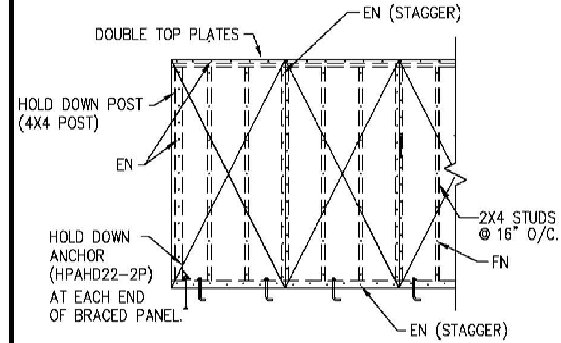


- 1 4X POST
- 2 4X FULL HEIGHT KING STUD W/ PLYWOOD EDGE NAILING
- 3 4X BLOCKING
- 4 "CMS14" FULL LENGTH STRAP PLACED OVER PLYWD. SHEATHING.
- 5 SIL. PLATE
- 6 2- 2X TOP PLATES
- 7 2X TRIMMER STUD
- 8 HEADER/ PLAN
- 9 "STHD" 4" U.N.O.
- 10 BRACED PANELS W/ EDGE NAILING PER DETAIL "B"
- 11 2- 2X SILL PLATE



BRACED WALL PANEL AT DOOR AND WINDOW OPENINGS

A

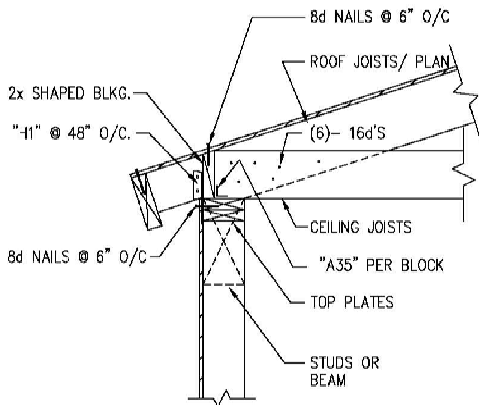


NOTES:

- 1) BRACED WALL PANEL SHALL BE 15/32" STRUCTURAL II PLYWOOD.
- 2) MINIMUM PANEL DIMENSION IS 2'-0".
- 3) USE FULL SIZE PANELS WHERE POSSIBLE (4'x8').
- 4) FIELD NAILING (FN): 8d NAILS @ 12" O/C.
- 5) EDGE NAILING (EN): 8d NAILS @ 6" O/C.
- 5) USE 3X SOLID BLKG @ HORIZ JOINTS.

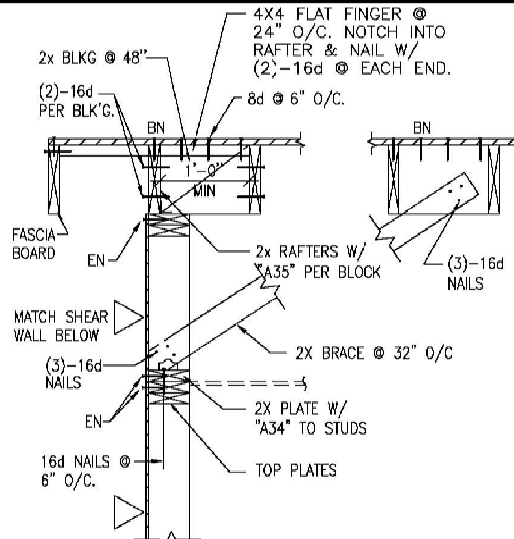
TYPICAL BRACED WALL PANEL

B



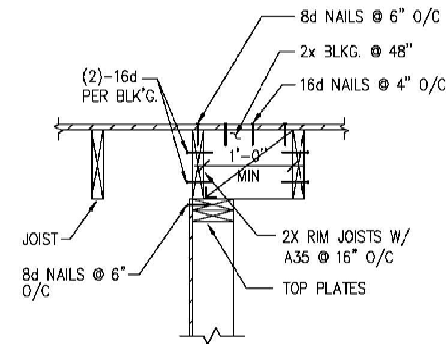
CONNECTION AT EXTERIOR BRACED WALL (ROOF RAFTERS)

C



CONNECTION AT EXTERIOR OR INTERIOR BRACED WALL (GABLE END)

D



CONNECTION AT INTERIOR BRACED WALL (BALLOON FRAMED WALLS)

E



**CITY OF INDIRIO
BUILDING SAFETY DIVISION**

**BRACED
WALL
PANELS**

100 Civic Center Mall
Indio, CA 92201
(760) 541-4211

Sheet
1 of 1