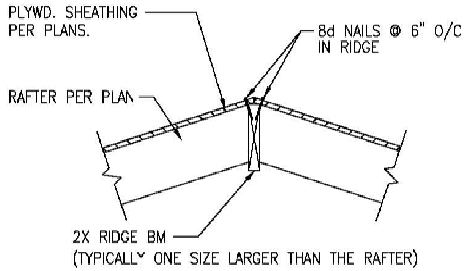


NOTES:

- 1- THIS ROOF FRAMING DESIGN REQUIRES THAT CONTINUOUS 2X CEILING JOISTS BE PROVIDED AND ATTACHED TO EACH RAFTER AT THE TOP PLATE LINE PER DETAIL C SHEET RSD2.0.
- 2- DETAIL IS NOT APPLICABLE TO VAULTED CEILING TYPE OF CONSTRUCTION.

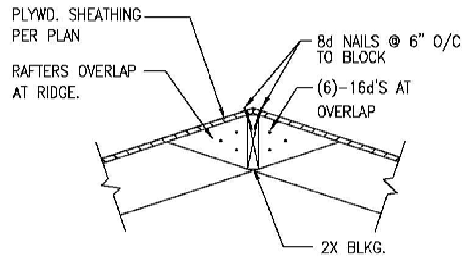


TYPICAL RIDGE CONNECTION

A

NOTES:

- 1- THIS ROOF FRAMING DESIGN REQUIRES THAT CONTINUOUS 2X CEILING JOISTS BE PROVIDED AND ATTACHED TO EACH RAFTER AT THE TOP PLATE LINE PER DETAIL C SHEET RSD2.0.
- 2- DETAIL IS NOT APPLICABLE TO VAULTED CEILING TYPE OF CONSTRUCTION.



TYPICAL RIDGE CONNECTION

B

FRAMING NOTES:

- 1- ALL NAILING SHALL BE COMMON NAILS
- 2- FRAMING CONNECTORS PER ICBO APPROVED SIMPSON'S MANUFACTURER. OTHER ICBO APPROVED MANUFACTURERS ARE ALLOWED WITH EQUAL OR LARGER ALLOWABLE LOAD VALUES.
- 3- BN: BOUNDARY NAILING
EN: EDGE NAILING
SN: SILL PLATE NAILING
FN: FIELD NAILING

△ SHEAR WALL PER PLANS WHERE REQUIRED

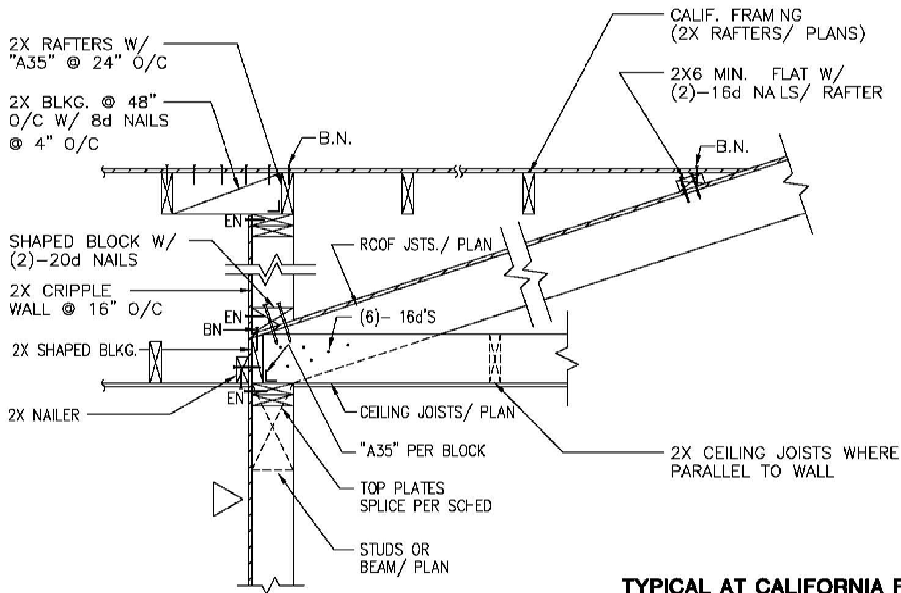
4- NOTCHES & BORED HOLES:

| VERTICAL STUDS | | 2X4 | 2X6 | 2X8 | 2X10 | 2X12 |
|--|-------|--------|--------|--------|--------|--------|
| NOTCHES: BEARING WALLS | 25% W | 7/8" | 1-3/8" | 1-7/8" | 2-3/8" | 2-7/8" |
| NON-BEARING WALLS ¹ | 40% W | 1-3/8" | 2-1/4" | 2-7/8" | 3-3/4" | 4-1/2" |
| BORED HOLES BEARING WALLS ² | 40% W | 1-3/8" | 2-1/4" | 2-7/8" | 3-3/4" | 4-1/2" |
| NON-BEARING & DBL. STUDS ³ | 60% W | 2-1/8" | 3-3/8" | 4-3/8" | 5-5/8" | 6-3/4" |
| HORIZONTAL REPETITIVE MEMBERS ⁴ | | | | | | |
| NOTCHES- END OF JOISTS | 1/4 D | 7/8" | 1-3/8" | 1-7/8" | 2-3/8" | 2-7/8" |
| UP TO 1/3 FROM EITHER END ⁵ | 1/6 D | 5/8" | 1" | 1-1/4" | 1-1/2" | 1-7/8" |
| BORED HOLES ⁶ | 1/3 D | - | 1-1/2" | 2-1/2" | 3-1/8" | 3-3/4" |

- 1 NON-BEARING WALLS SUPPORT NO LOADS OTHER THAN THE WEIGHT OF THE PARTITION.
- 2 HOLES CLOSER THAN 5/8" TO EDGE OF STUD ARE CONSIDERED TO BE NOTCHES.
- 3 ONLY TWO CONSECUTIVE BEARING STUDS MAY BE DOUBLED AND BORED TO 60% OF WIDTH.
- 4 REPETITIVE MEMBERS EQUAL 3 OR MORE PARALLEL MEMBERS AT A MAXIMUM OF 24" O.C.
- 5 NOTCHES ONE SIXTH THE DEPTH OF THE JOIST MAY BE IN THE TOP OR BOTTOM EDGE, BUT NEVER IN THE MIDDLE 1/3 OF THE SPAN.
- 6 BORED HOLES ARE NOT PERMITTED WITHIN 2" OF THE TOP OR BOTTOM EDGE OF JOISTS.
- 7 W = WIDTH OF STUD.
- 8 D = DEPTH OF JOIST OR RAFTER.
- 9 DIAMETER REDUCED DUE TO 2" EDGE REQUIREMENT, SEE FOOTNOTE 6.
- 10 NOTCHES IN BEAMS, POSTS AND CANTILEVERED JOISTS MUST BE SHOWN ON APPROVED PLANS.
- 11 NOTCHES NOT EXCEEDING 1/3 OF THE DEPTH ARE PERMITTED IN THE TOP OF THE RAFTER OR CEILING JOIST NO FURTHER FROM THE FACE OF THE SUPPORT THAN THE DEPTH OF THE MEMBER.

C

D



TYPICAL AT CALIFORNIA FRAMING

CITY OF INDO
BUILDING SAFETY DIVISION
ROOF FRAMING
AND
NOTCHING



Sheet
1 of 1
100 Civic Center Mall
Indio, CA 92201
(760) 541-4211