

**TABLE "A"**  
DECK JOIST SPANS  
(DOUGLAS FIR #2 OR BETTER)

SIZE	SPACING	SPAN
2 x 6	12" o.c.	10' - 6"
	16" o.c.	9' - 0"
	24" o.c.	7' - 6"
2 x 8	12" o.c.	14' - 0"
	16" o.c.	12' - 0"
	24" o.c.	9' - 6"
	24" o.c.	9' - 6"
2 x 10	16" o.c.	15' - 0"
	24" o.c.	12' - 0"
2 x 12	24" o.c.	14' - 0"
4 x 6	12" o.c.	14' - 6"
	16" o.c.	13' - 6"
	24" o.c.	11' - 6"
4 x 8	24" o.c.	15' - 0"
4 x 10	32" o.c.	15' - 0"

**TABLE "B"**  
HEADER SIZING & SPANS  
(DOUGLAS FIR #2 OR BETTER)

JOIST SPAN	HEADER	
	SIZE	SPAN
UPTO 8'-0"	4 X 8	8'-0"
	4 X 10	10'-0"
	4 X 12	11'-6"
	6 X 12	14'-0"
8'-1" - 10'-0"	4 X 8	7'-6"
	4 X 10	9'-6"
	4 X 12	11'-0"
10'-1" - 12'-0"	6 X 12	13'-0"
	4 X 8	7'-0"
	4 X 10	9'-0"
12'-1" - 15'-0"	4 X 12	10'-0"
	6 X 12	12'-0"
	4 X 8	6'-6"
	4 X 10	8'-0"
12'-1" - 15'-0"	4 X 12	9'-6"
	6 X 12	11'-0"

**TABLE "C"  $\Delta$**   
LEDGER BOLT SPACING  
(3/8 DIA. X 6" LAG BOLTS - SEE NOTE 1)

DECK JOIST SPAN	SPACING
8'-0" OR LESS	8" O.C.
8'-1" TO 10'-0"	6" O.C.
10'-1" TO 12'-0"	5-1/2" O.C.
12'-1" TO 14'-0"	4-1/2" O.C.
14'-1" TO 15'-0"	4" O.C.

**NOTES:**

1. LEDGER BOLTS SHALL BE 3/8" DIA. X 6" LONG WITH 1/4" DIA. PRE DRILLED HOLES. BOLTS ARE TO BE PLACED STAGGERED.
2. ALL METAL HARDWARE & SCREWS TO BE GALVANIZED OR OF OTHERWISE APPROVED CORROSION RESISTANCE.
3. MAXIMUM 5' JOIST SPAN IF 2<sup>ND</sup> FLOOR IS CANTILEVERED AT FDGFR.
4. SHEAR WALLS MAY NOT BE MODIFIED UNLESS STRUCTURAL CALCULATIONS ARE SUBMITTED AND APPROVED BY THE BUILDING DEPARTMENT.
5. USE OF THIS STANDARD IS LIMITED TO R3 OCCURANCIES (SINGLE FAMILY DWELLINGS AND DUPLEX)  $\Delta$

**DISCLAIMER:**

ALTERNATE DECK DESIGNS MAY BE POSSIBLE WHEN PROVIDED WITH AN ENGINEERED ANALYSIS. USE OF THIS CONVENTIONAL STANDARD DESIGN IS AT THE USER'S RISK AND CARRIES NO IMPLIED OR INFERRED GUARANTEE AGAINST FAILURE OR DEFECTS.



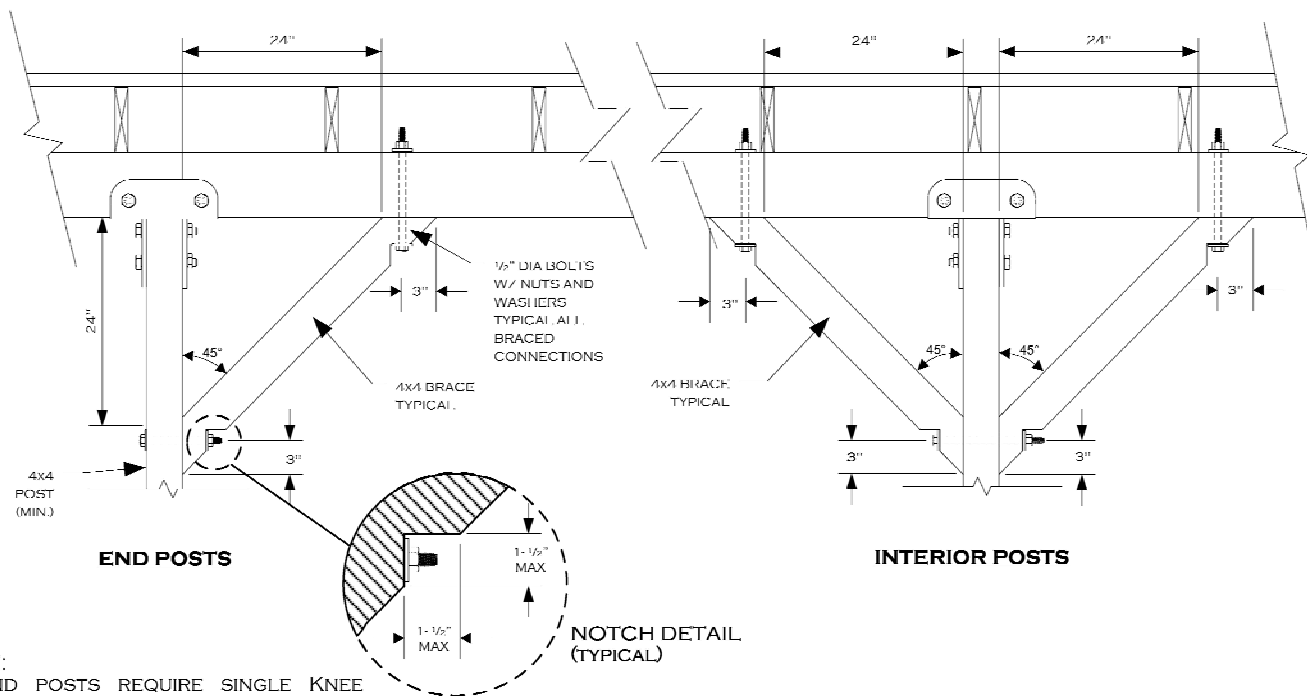
**CITY OF INDIO  
BUILDING SAFETY DIVISION**

**BALCONY / DECK  
STANDARD**

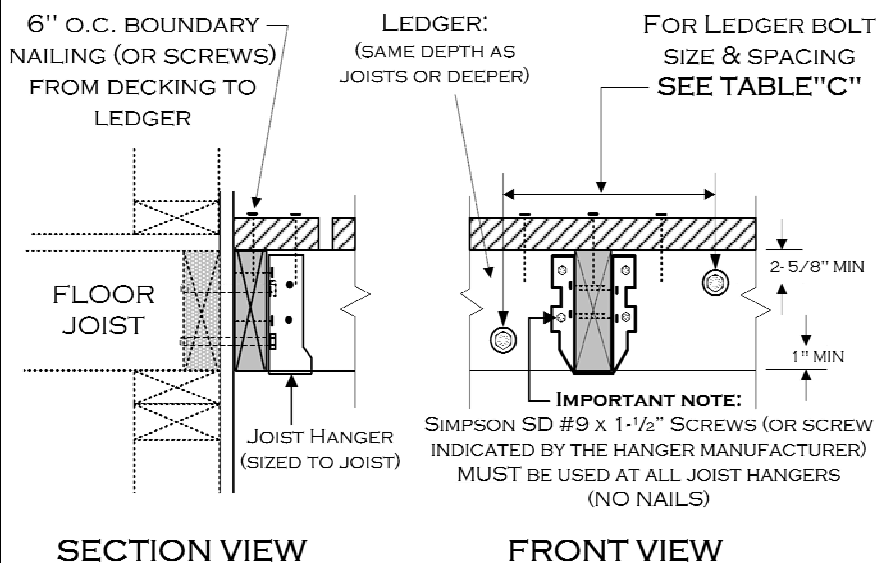
100 Civic Center Mall  
Indio, CA 92201  
(760) 541-4211

Sheet  
1  
of  
4

## KNEE BRACE DETAIL (A)

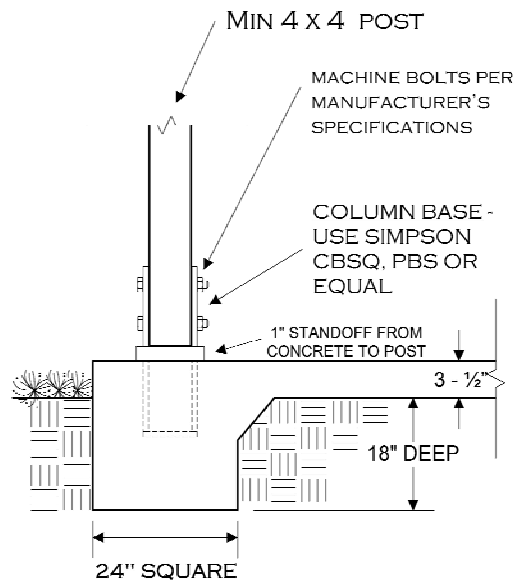


## LEDGER DETAIL (B)



**NOTE:** THIS DECK CONNECTION DETAIL IS BASED ON THE ASSUMPTION THAT A MINIMUM 1-1/2" THICK WOOD MEMBER IS ADEQUATELY INSTALLED AT ALL EDGES OF THE FLOOR DIAPHRAGM. IF ANY OTHER MATERIAL IS USED, SUCH AS TJI JOISTS, A SPECIAL ENGINEERED DESIGN WILL BE REQUIRED. IT IS THE OWNER'S RESPONSIBILITY TO VERIFY THE PRESENCE OF THE APPROPRIATE RIM JOIST.

## FOOTING DETAIL (C)



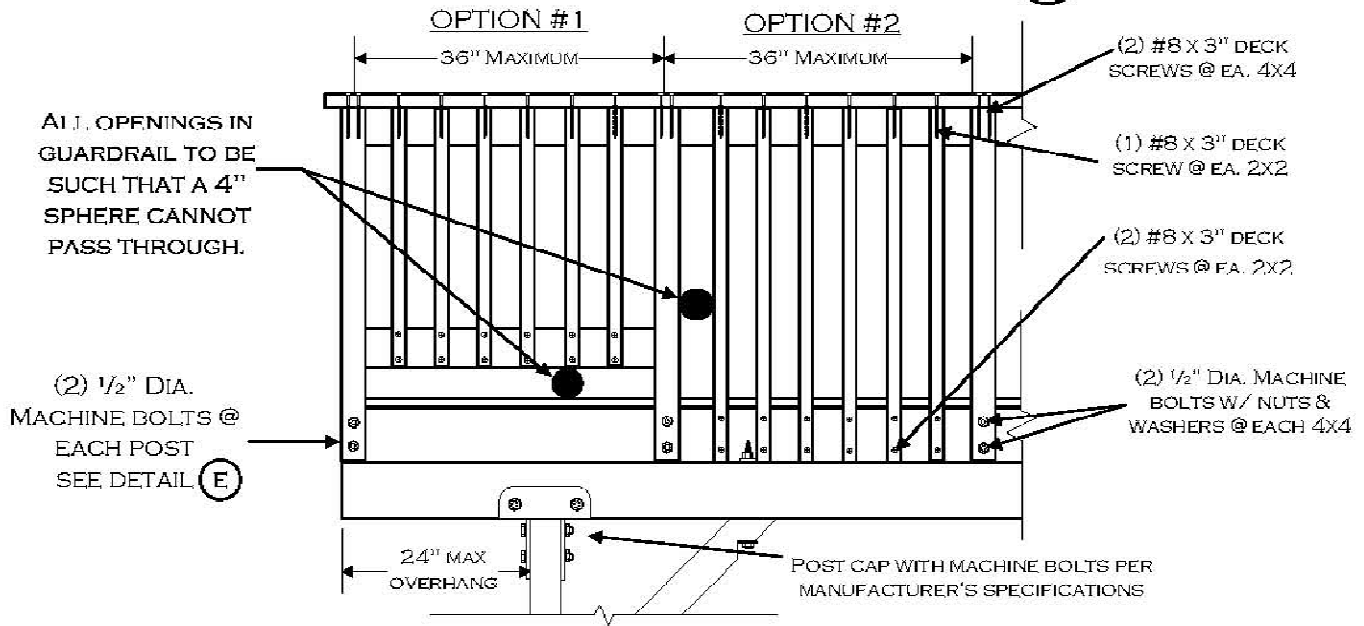
**CITY OF INDIRIO  
BUILDING SAFETY DIVISION**

**BALCONY / DECK  
STANDARD**

100 Civic Center Mall  
Indio, CA 92201  
(760) 541-4211

Sheet  
2  
of  
4

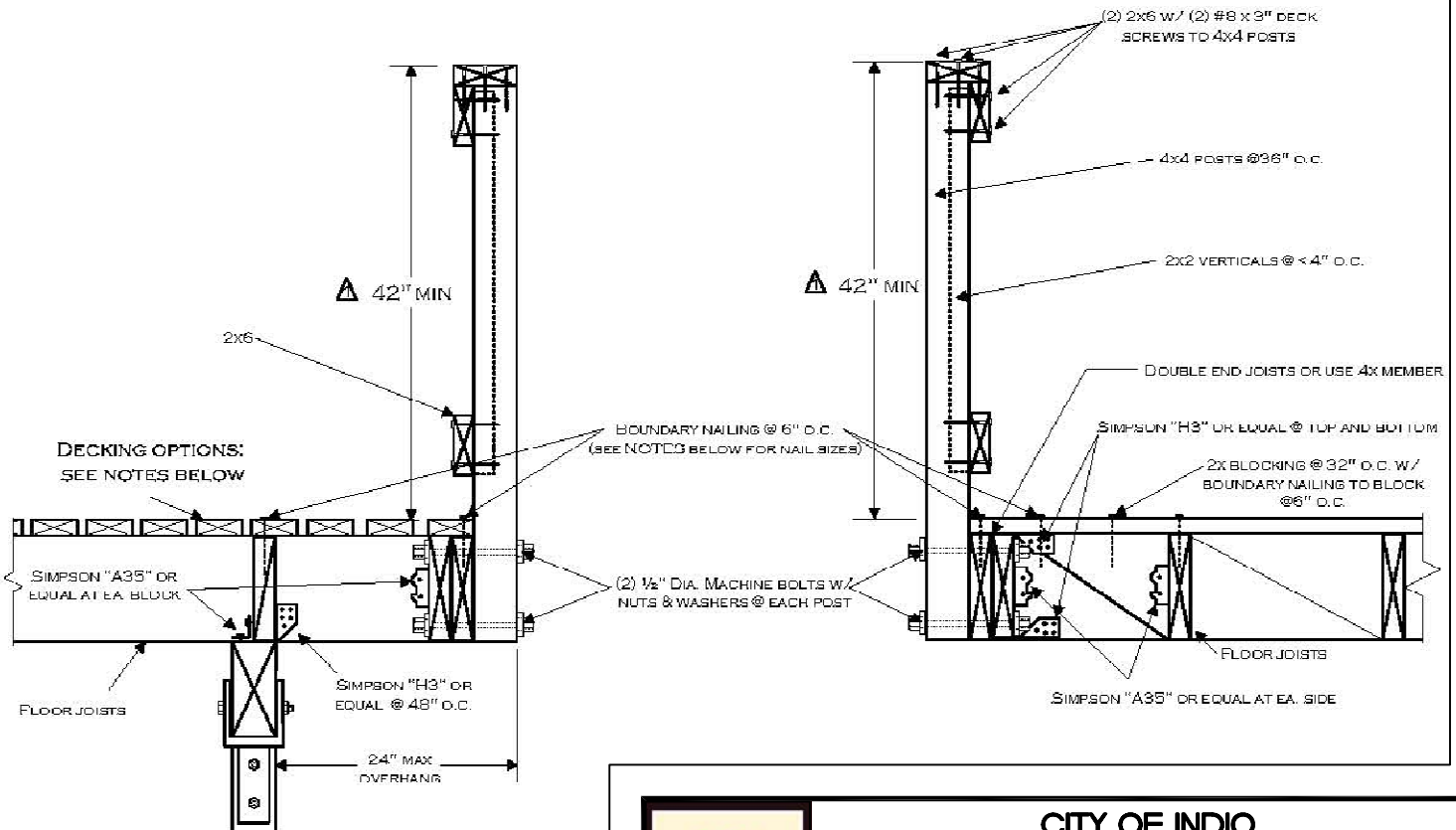
# RAILING, POST, & BEAM DETAIL (D)



# RAILING SECTION VIEWS (E)

GUARDRAIL PERPENDICULAR TO JOISTS

GUARDRAIL PARALLEL TO JOISTS



**NOTE- DECKING OPTIONS ARE AS FOLLOWS:**

- 5/8" TONGUE AND GROOVE JOINTED PLYWOOD SECURED WITH 8d NAILS. ALL EDGE NAILING AT 6" O.C. MUST BE COVERED WITH AN APPROVED WEATHER RESISTIVE MATERIAL WALKING SURFACE, AND SLOPED FOR DRAINAGE.
- 2X6" DECKING SECURED W/ (2) 16d NAILS (OR APPROVED DECK SCREWS  $\Delta$ ) @ EA. JOIST.



CITY OF INDIOS  
BUILDING SAFETY DIVISION

BALCONY / DECK  
STANDARD

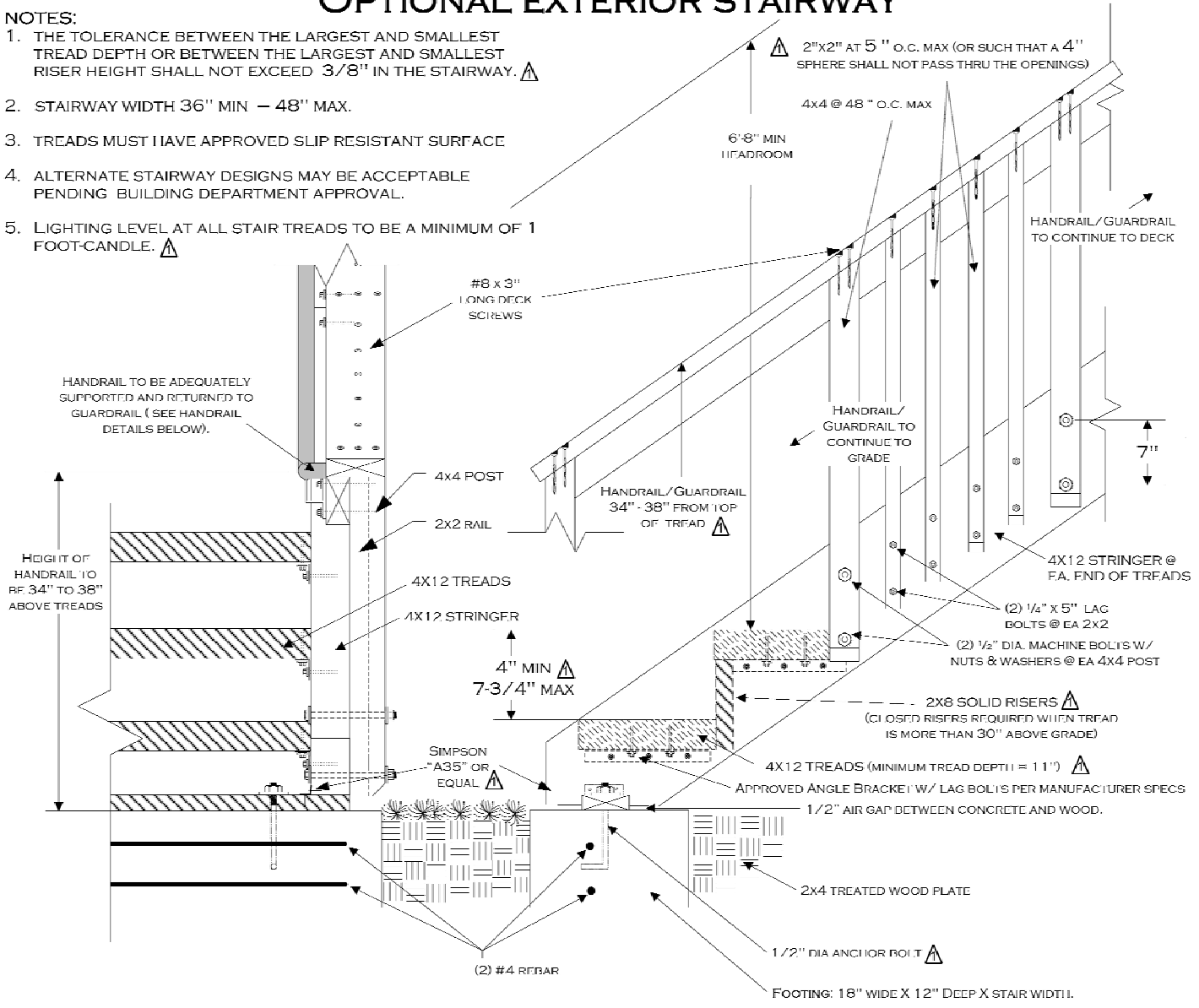
100 Civic Center Mall  
Indio, CA 92201  
(760) 541-4211

Sheet  
3  
of  
4

# OPTIONAL EXTERIOR STAIRWAY

**NOTES:**

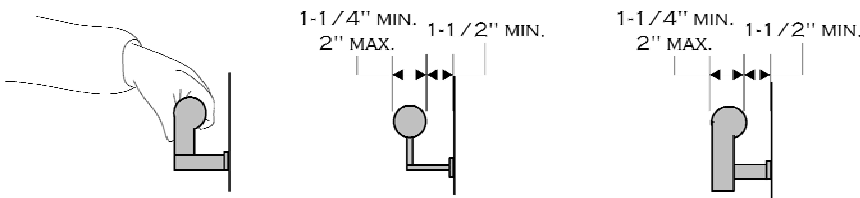
1. THE TOLERANCE BETWEEN THE LARGEST AND SMALLEST TREAD DEPTH OR BETWEEN THE LARGEST AND SMALLEST RISER HEIGHT SHALL NOT EXCEED 3/8" IN THE STAIRWAY. ⚠
2. STAIRWAY WIDTH 36" MIN – 48" MAX.
3. TREADS MUST HAVE APPROVED SLIP RESISTANT SURFACE
4. ALTERNATE STAIRWAY DESIGNS MAY BE ACCEPTABLE PENDING BUILDING DEPARTMENT APPROVAL.
5. LIGHTING LEVEL AT ALL STAIR TREADS TO BE A MINIMUM OF 1 FOOT-CANDLE. ⚠



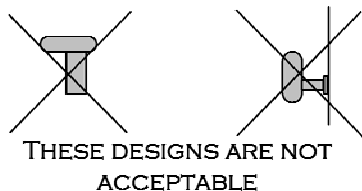
FRONT VIEW

SIDE VIEW

## HANDRAIL DETAILS



**NOTE:** OTHER SHAPES MAY BE ACCEPTABLE IF THEY PROVIDE AN EQUIVALENT GRIPPING SURFACE.



**CITY OF INDIOS  
BUILDING SAFETY DIVISION**

**BALCONY / DECK  
STANDARD**

100 Civic Center Mall  
Indio, CA 92201  
(760) 541-4211

Sheet  
4  
of  
4