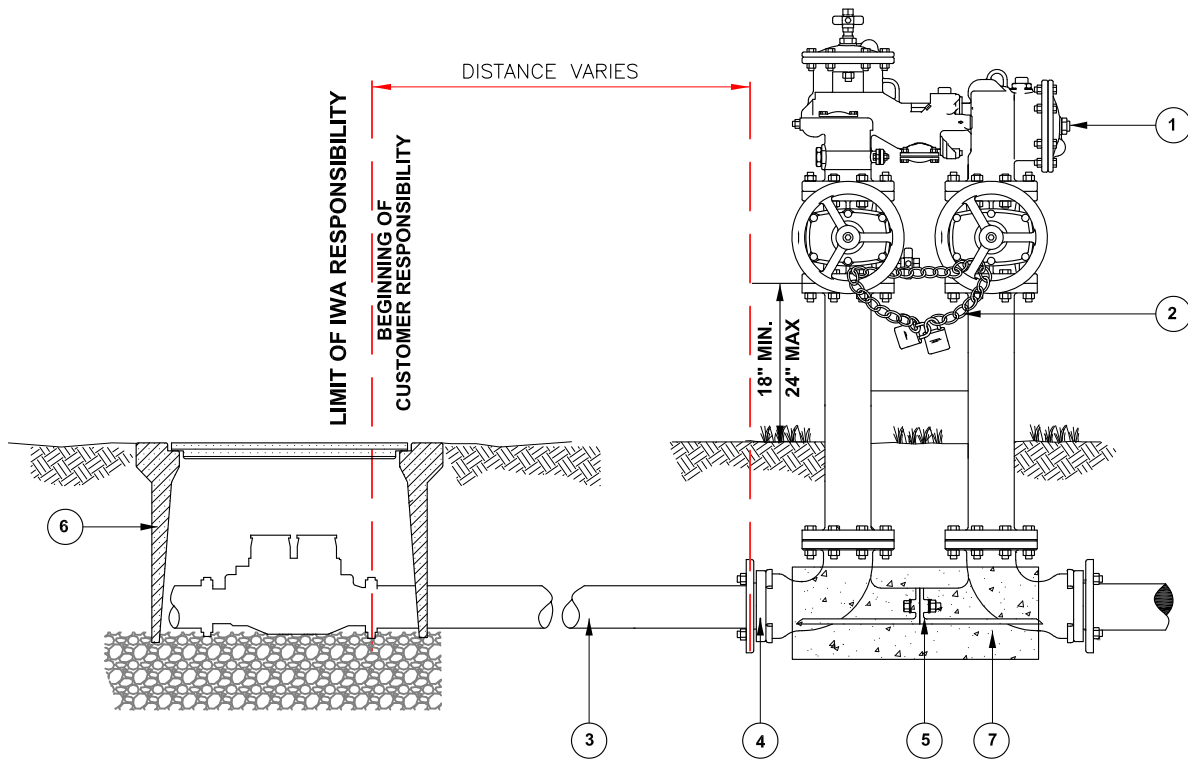


ITEM	DESCRIPTION
①	ASSEMBLY SHALL BE LOCATED AS CLOSE AS POSSIBLE TO THE METER.
②	THE LOCATION NEEDS TO BE APPROVED BY THE IWA BACKFLOW INSPECTOR
③	PIPING MATERIALS SHALL BE BRASS OR COPPER.
④	BACKFLOW ENCLOSURE OR CABLE GUARD MUST BE STANDARD DESIGN FROM THE APPROVED MATERIALS LIST ON STANDARD PLAN <u>724A</u> OR <u>724B</u>
⑤	2-90° STREET ELBOWS
⑥	ANGLE STOP
⑦	REDUCED PRESSURE PRINCIPLE BACKFLOW PREVENTOR (SEE LIST OF APPROVED MATERIALS)
⑧	PIPE MATERIALS AS SELECTED BY CUSTOMER.
⑨	CONC. PAD (CLASS 560-C-3250). SIZE, REFER TO STD. PLAN 724 A
⑩	MINIMUM 8" THK 3/4" GRAVEL
⑪	BRASS UNION

NOTE: 1. IRRIGATION AND DOMESTIC BACKFLOWS SHOULD BE PAINTED—KRYLON OR RUST-OLEUM (HUNTER GREEN) (LANDSCAPE GRASS AREA)—DESERT TAN (HARDSCAPE AREA)
 2. THE INSTALLATION SHALL BE INSPECTED BY THE IWA BACKFLOW INSPECTOR PRIOR TO BACKFILLING OR BEING PLACED IN SERVICE.
 3. BACKFLOW ASSEMBLIES, METERS AND PADLOCKS SHALL BE APPROVED BY IWA PRIOR TO INSTALLATION.

	<p align="center">1" AND 2" REDUCED PRESSURE BACKFLOW</p>	STANDARD PLAN NUMBER			
		702 A			
<p align="center">November 2016 DATE</p>	SHEET <u>1</u> OF <u>2</u>				
	REVISION	DATE	REVISION	DATE	
	1	8/20			

BRIAN MACY P.E.
GENERAL MANAGER
RCE C 78718



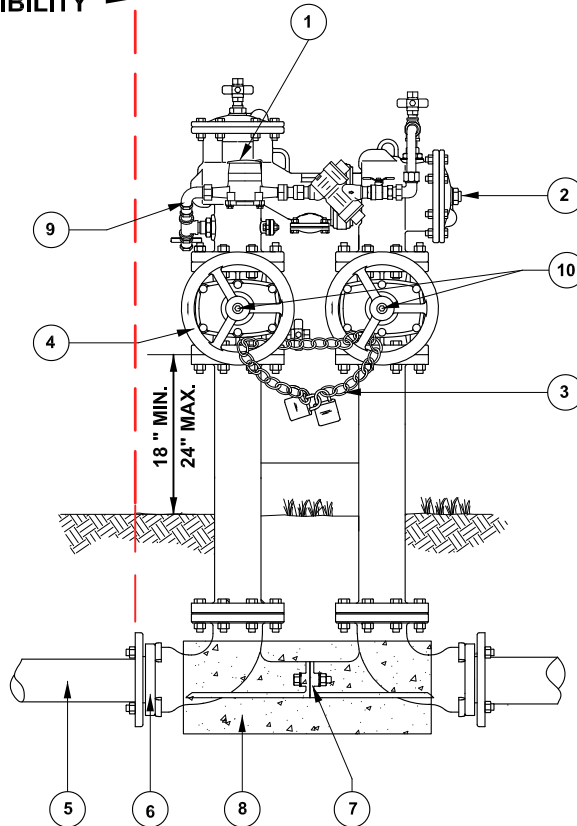
ITEM	DESCRIPTION
①	REDUCED PRESSURE BACKFLOW PREVENTION ASSEMBLY (SEE LIST OF APPROVED MATERIALS)
②	INSTALL 3/8" STAINLESS STEEL CHAIN- (PADLOCK MUST BE IWA APPROVED.)
③	DUCTILE IRON PIPE CL 350 FOR 12" AND BELOW
④	MECHANICAL JOINTS SHALL BE RESTRAINED
⑤	VALVE SETTER.
⑥	POLYMER VAULT WITH METER (SEE LIST OF APPROVED MATERIALS)
⑦	PLACE CONCRETE (560 C-3250) TO STABILIZED THE ASSEMBLY IN PLACE.

NOTES:

1. REDUCED PRESSURE BACKFLOW ASSEMBLY SHALL BE INSTALLED ABOVE GROUND.
2. ALL BACKFLOW PREVENTION DEVICES SHALL SET AS CLOSE TO THE WATER METER AS POSSIBLE.
3. BACKFLOW PREVENTION DEVICE SHALL BE EPOXY COATED. SEE LIST OF APPROVED MATERIALS.
- 4 TEST COCKS SHALL BE IN PLACE AT ALL TIMES.
5. IWA SHALL HAVE ACCESS TO BACKFLOW PREVENTION DEVICE AT ALL TIMES.
6. ALL PIPES AND FITTINGS SHALL BE RESTRAINED.
7. AFTER INSTALLATION DEVICE SHOULD BE PAINTED-KRYLON OR RUST-OLEUM (DESERT TAN)
8. ALL 3" & LARGER SERVICES & BACKFLOWS REQUIRE SHUT-OFF VALVE @ MAIN.

 <p>Indio Water Authority Your Water. Our Responsibility.</p>	<p>3" & Larger Reduced Pressure Backflow</p>	STANDARD PLAN NUMBER			
		<p>702 B</p> <p>SHEET <u>2</u> OF <u>2</u></p>			
 <p>BRIAN MACY P.E. GENERAL MANAGER RCE C 78718</p>	<p>November 2016</p> <p>DATE</p>	REVISION	DATE	REVISION	DATE

LIMIT OF IWA RESPONSIBILITY **← BEGINNING OF CUSTOMER RESPONSIBILITY**



ITEM	DESCRIPTION
①	BYPASS METER (SEE LIST OF APPROVED MATERIALS)
②	DOUBLE CHECK DETECTOR ASSEMBLY (PURCHASED BY CUSTOMER)(SEE LIST OF APPROVED MATERIALS
③	INSTALL 3/8" STAINLESS STEEL CHAIN (PADLOCKS MUST BE IWA APPROVED).
④	TAMPER SWITCH TO BE APPROVED BY FIRE DEPARTMENT.
⑤	DUCTILE IRON PIPE CL 350.
⑥	MECHANICAL JOINTS SHALL BE RESTRAINED.
⑦	VALVE SETTER.
⑧	PLACE CONCRETE (560 C-3250) TO STABILIZED THE ASSEMBLY IN PLACE.
⑨	SENTRY FIRE DETECTOR CHECK BYPASS BACKFLOW GUARD (OPTIONAL)(SEE LIST OF APPROVED MATERIALS) (PADLOCKS MUST BE IWA APPROVED).
⑩	(OS & Y) OUTSIDE STEM AND YOKE (REQUIRED BY FIRE DEPARTMENT)

NOTES:

1. FIRE DOUBLE DETECTOR CHECK BACKFLOW ASSEMBLY SHALL BE INSTALLED ABOVE GROUND.
2. THE BACKFLOW PREVENTION DEVICE SHALL BE EPOXY COATED. SEE LIST OF APPROVED MATERIALS.
3. TEST COCKS SHALL BE IN PLACE AT ALL TIMES.
4. IWA SHALL HAVE ACCESS TO BACKFLOW ASSEMBLY AT ALL TIMES.
5. ALL PIPES AND FITTINGS SHALL BE RESTRAINED.
6. AFTER INSTALLATION DEVICE SHOULD BE PAINTED KRYLON OR RUST-OLEUM (FEDERAL SAFETY RED)
7. ALL FIRE DCDA REQUIRE SHUT-OFF VALVES AT MAIN.

Indio Water Authority
Your Water. Our Responsibility.

Billy

BRIAN MACY P.E.
GENERAL MANAGER
RCE C 78718

November 2016

DATE

**FIRE DOUBLE CHECK
DETECTOR ASSEMBLY**

STANDARD PLAN NUMBER

703

SHEET 1 OF 1

REVISION	DATE	REVISION	DATE