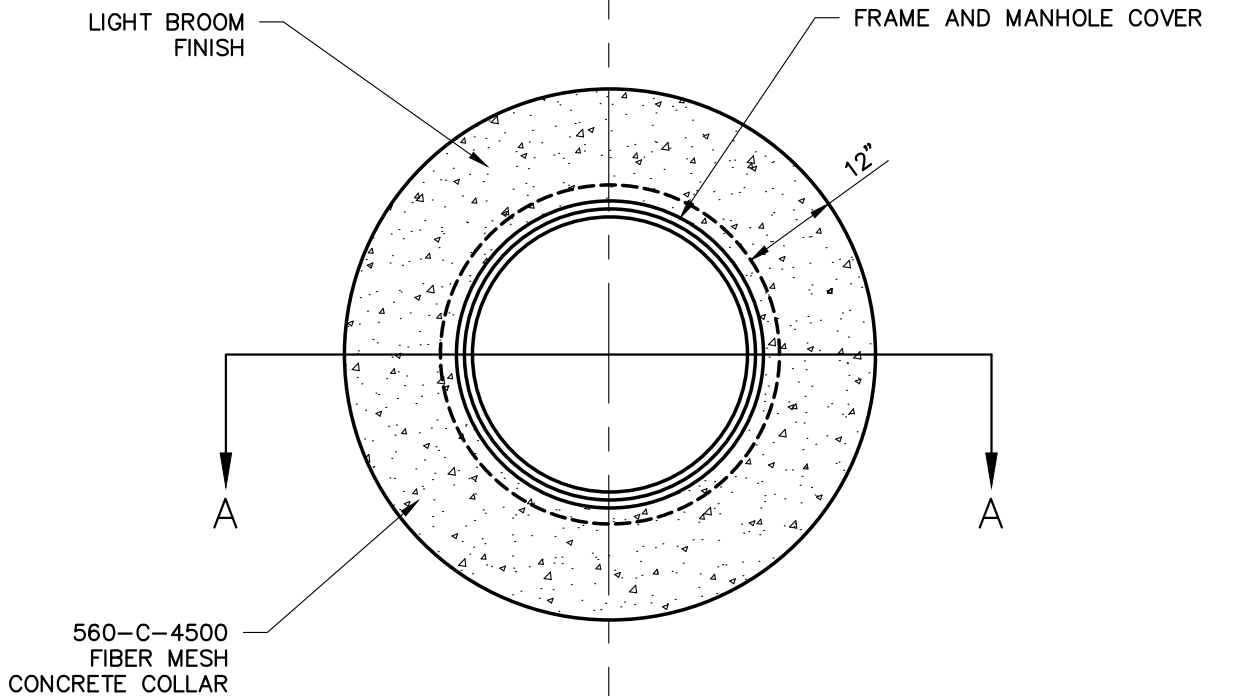
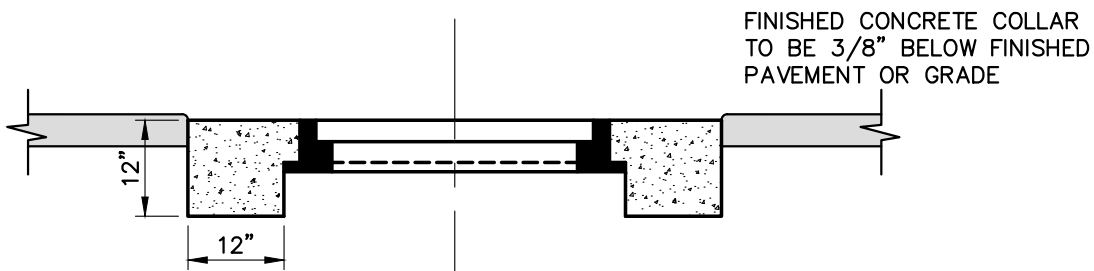


FRAME & COLLAR



COLLAR AND LID ASSEMBLY
TO BE CONCENTRIC



SECTION A-A

L:\Public Works - Engineering Standards\INDIO-307 5/19/2016 11:57 AM



Juan Raya

JUAN RAYA, P.E.
CITY ENGINEER
RCE 68510

05/18/16
DATE

REV.	DRAWN BY:	APP'D:	DATE:



MANHOLE COLLAR

STANDARD PLAN No.: 307

MAY 2016