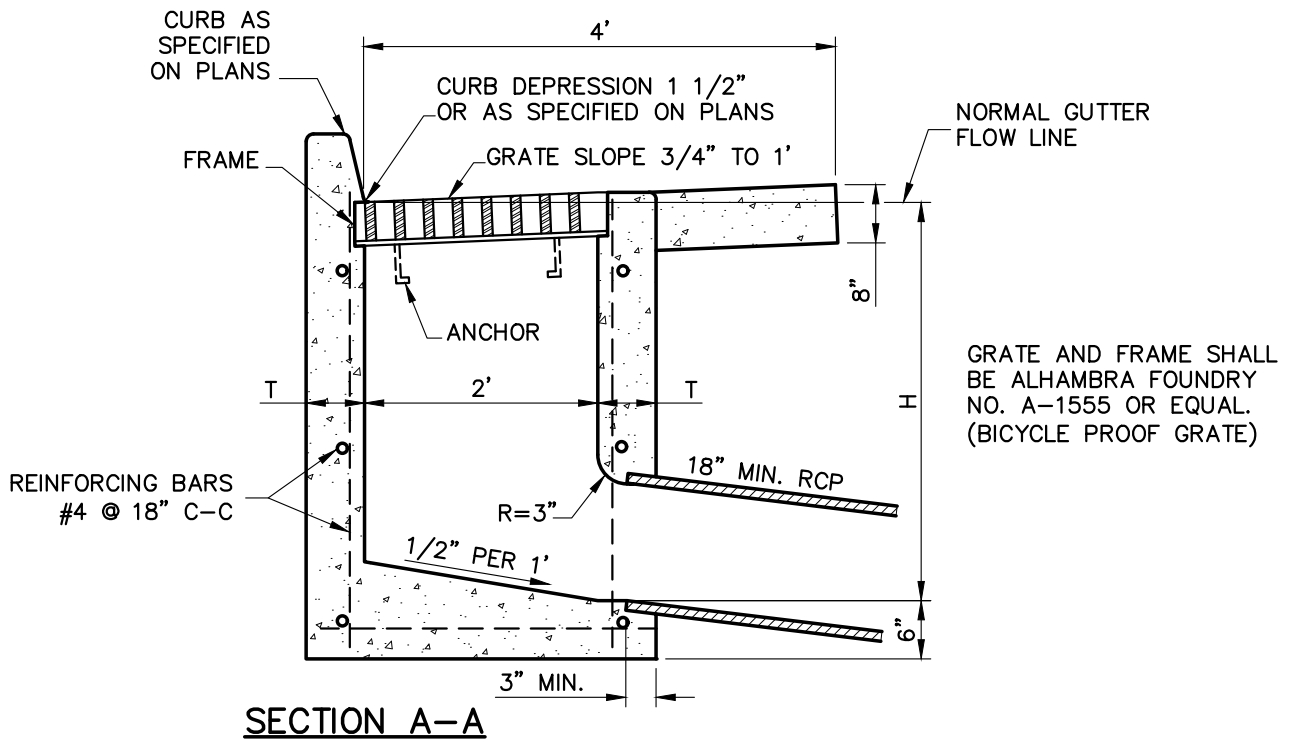


SEE STD 304 FOR GUTTER DEPRESSION
 COMPACT BACKFILL TO 90% MIN., WITH THE
 TOP 12" COMPACTED TO 95% MIN. UNDER PAVING.



GRATE AND FRAME SHALL
 BE ALHAMBRA FOUNDRY
 NO. A-1555 OR EQUAL.
 (BICYCLE PROOF GRATE)

SECTION A-A

SEE STD 302, SHEET 2 OF 2, FOR APPLICABLE NOTES
 NOTE: USE OF THIS STANDARD REQUIRES PRIOR APPROVAL OF CITY ENGINEER

L:\Public Works - Engineering Standards\INDIO-301 5/19/2016 12:03 PM



Juan Raya 05/18/16
 JUAN RAYA, P.E. DATE
 CITY ENGINEER
 RCE 68510

REV.	DRAWN BY:	APP'D:	DATE:



**GRATE INLET
 CATCH BASIN**

STANDARD PLAN No.: **301**

MAY 2016