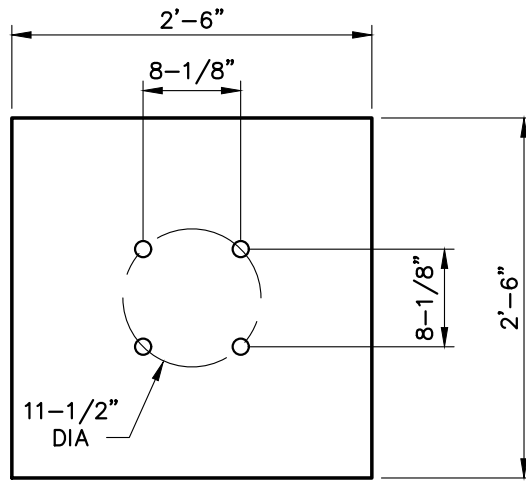


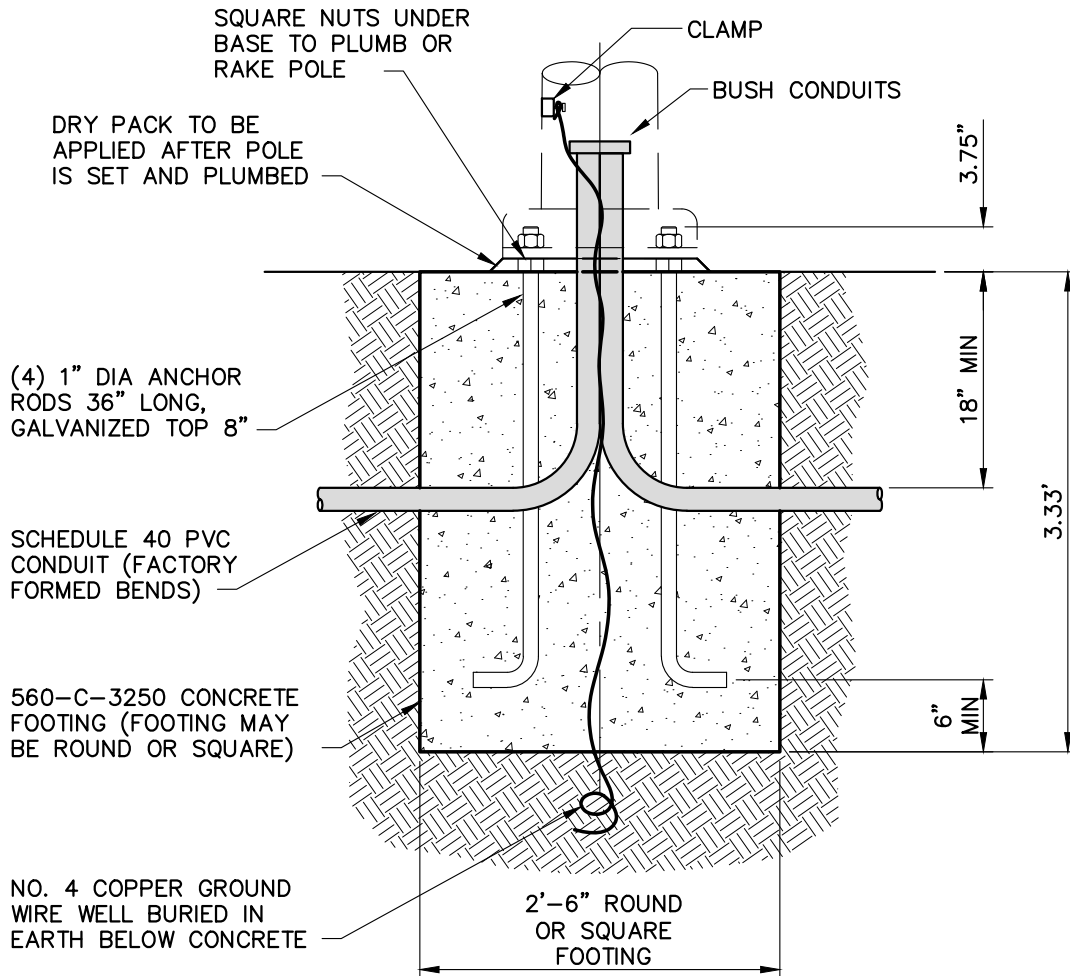
NOTE:

THIS DETAIL APPLIES TO BOTH RESIDENTIAL AND NONRESIDENTIAL STREET LIGHTS



BOLT PATTERN FOR AMERON N308 OR N3012 POLE

PLAN VIEW



PROFILE

L:\Public Works - Engineering Standards\INDIO-202 5/19/2016 12:12 PM



<i>Juan Raya</i>		05/18/16	
JUAN RAYA, P.E.		DATE	
CITY ENGINEER			
RCE 68510			
REV.	DRAWN BY:	APP'D:	DATE:



FOOTING AND MOUNTING BASE FOR STREET LIGHT

STANDARD PLAN No.: **202**

MAY 2016